



**ECO STYLE**  
World Chemical

Best for gold plating machines

# 2500VK

The smallest model of VK/VP series (0.4kW)  
Available for both of in-tank  
and  
out-of-tank methods

VERTICAL SEALLESS PUMP

**VK** series

**DRYFREE**



# Features

---

# Applications

---

- Circulation of plating liquid which easily deposits on the inner parts of a pump
- Circulation of gold plating liquid which must keep away from metal ions
- Circulation of small size scrubber
- Spray/ circulation of chemical liquid with limited space



**Motor bearing protection**  
 During operation, the tip of the dry seal rotates without contact by centrifugal force. During stop, the lip closely adheres to the counter face ring to seal gas. Any leaked gas is immediately released through a ventilation opening placed above the dry seal to protect the motor bearing.

**Resistance to chemicals**  
 The main body of 2500VK is composed of CFR-PP, which resists corrosion from a wide range of chemicals. The pump prevents a gold plating liquid from being contaminated with metal ions.

**Sealless construction**  
 Constructed without parts such as mechanical seal and bushing, DRYFREE will not generate heat when it runs dry. The pump has no consumable parts and is even capable of handling small amounts of slurry, and available for plating liquids which easily deposit on the inner parts of a pump.

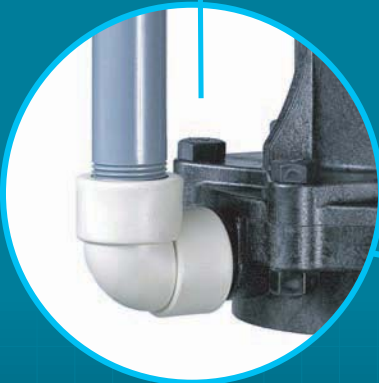


**Closed-impeller**  
 For efficient pump performance  
 Max. TDH: m  
 Max. flow rate: L/mi



**Anti-corrosive resin motor base**  
 GFR-PP motor base prevents from being corroded.

**Durable bolts**  
 12mm thick bolts have excellent durability, and PPS or Titanium bolts are available for in-tank type.

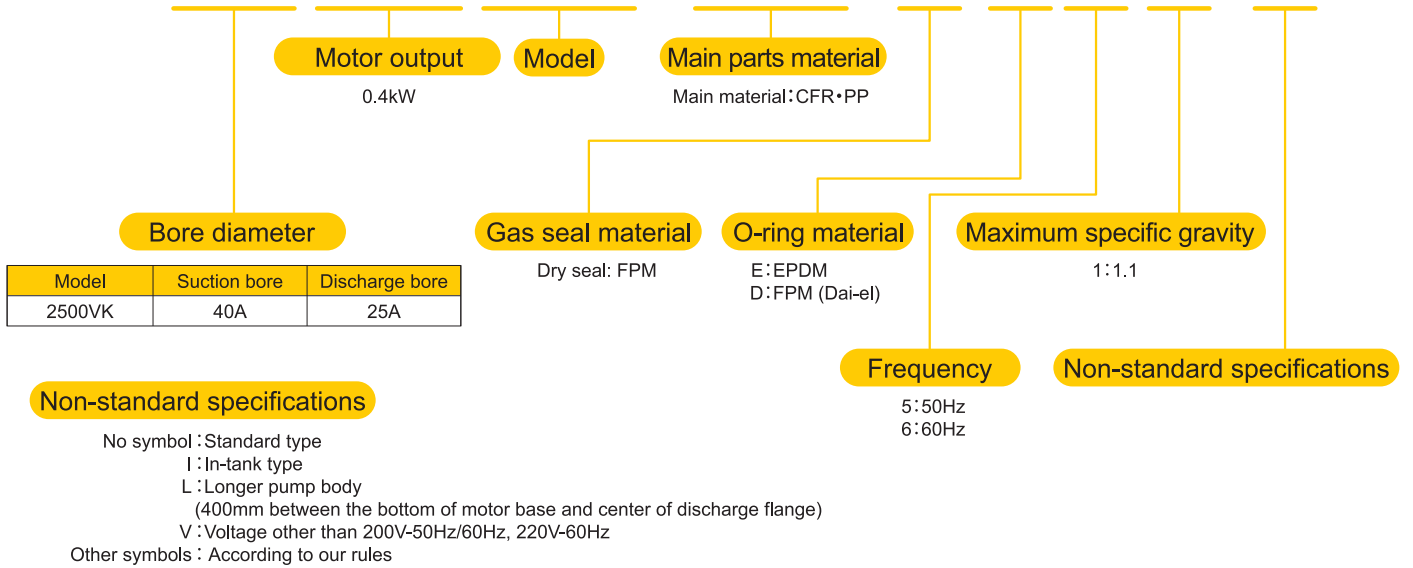


**In-tank type**  
 The compact in-tank type is jointed with an elbow (G1) instead of flange, and it has PPS bolts, an elbow, a discharge pipe and a support plate as standard components.

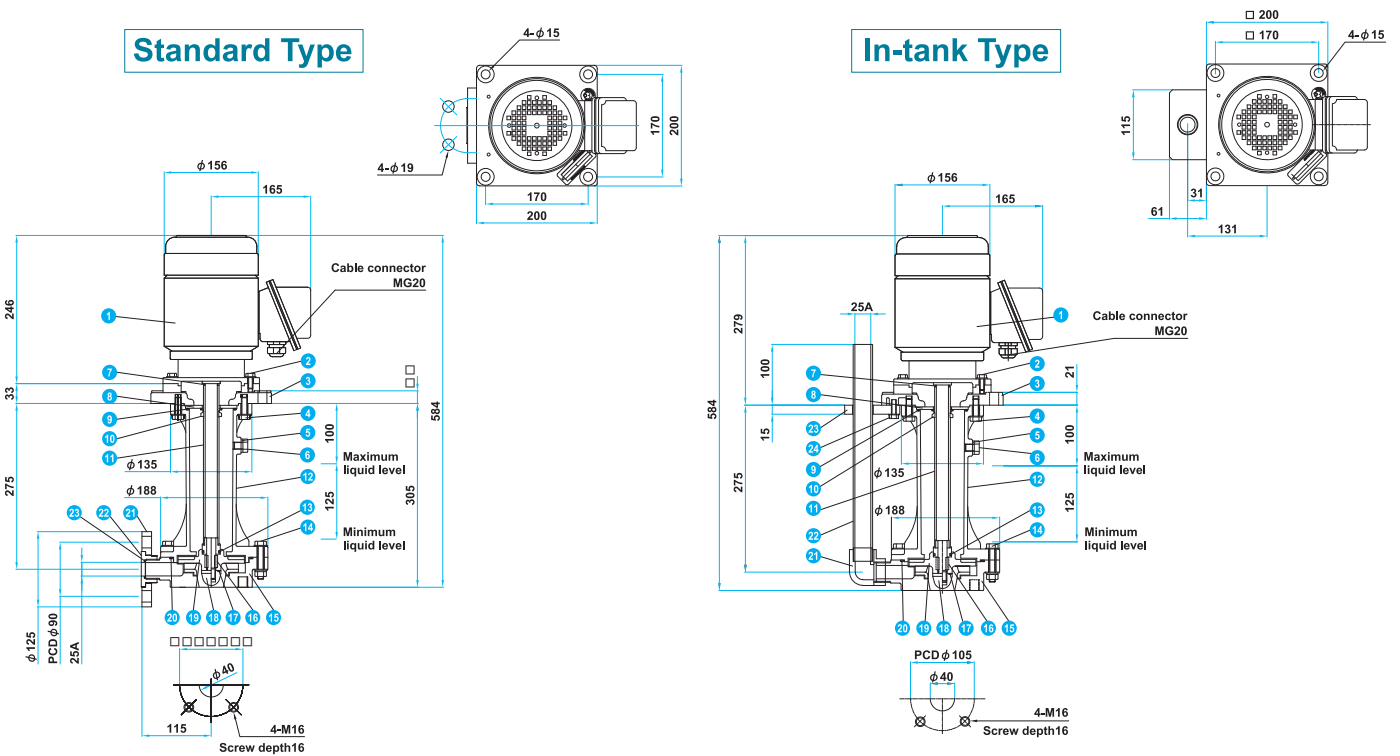
Available for out-of-tank method by attaching a loose flange, a lap joint and an O-ring, instead of an elbow, a discharge pipe and a support plate.

## Model Designation

# YD-2500VK-CP-DE51-L



## Performance curves



No.	Part name	Q'ty	Material
1	Motor	1	FC etc.
2	Bolt	4	SUS304
3	Pump base	1	GFR·PP
4	Bolt	4	SUS304 / PPS
5	Packing	1	NBR
6	Air-release bolt	1	PVC
7	O-ring	1	EPDM
8	Counterface ring	1	ALUMINA CERAMIC
9	O-ring	1	EPDM
10	Dry seal	1	FPM

No.	Part name	Q'ty	Material
11	Shaft sleeve	1	PP
12	Connecting pipe	1	CFR·PP
13	O-ring	1	EPDM / FPM
14	Bolt	6	SUS304 / PPS
15	Casing	1	CFR·PP
16	Key	2	SUS304
17	O-ring	1	EPDM / FPM
18	Impeller nut	1	CFR·PP
19	Impeller	1	CFR·PP
20	O-ring	1	EPDM / FPM

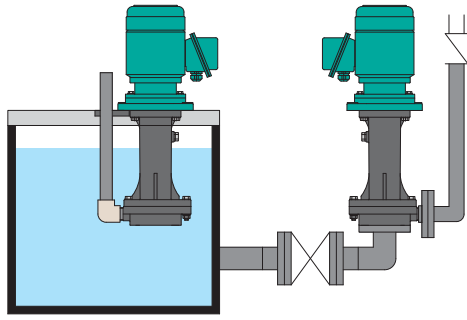
No.	Part name	Q'ty	Material
(Standard type)			
21	Discharge flange	1	CFR·PP
22	Lap joint	1	CFR·PP
23	O-ring	1	EPDM / FPM
(In-tank type)			
24	Elbow	1	PP
22	Discharge pipe	1	HT·PVC
23	Support board	1	HT·PVC
24	Bolt	2	PPS

※ 4 16 Bolt Standard type : SUS304 In-tank type : PPS

※ Measurements are subject to change without notice.

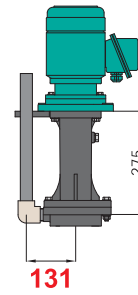
※ Dispenses with a PVC plate attached to metal motor base as a (temporary) protection against atmospheric corrosion.

## Compatible with the previous model YD-25LO-E in size and performance



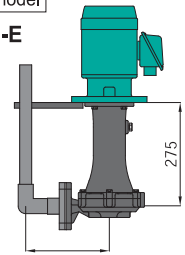
Available for both in-tank and out-of-tank methods

New model  
2500VK



131

Previous model  
25LO-E



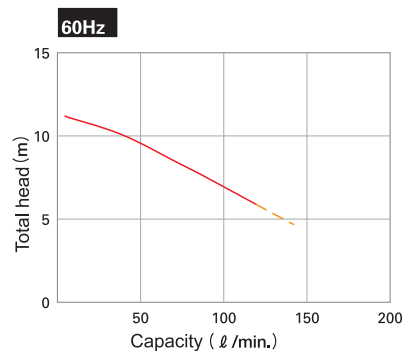
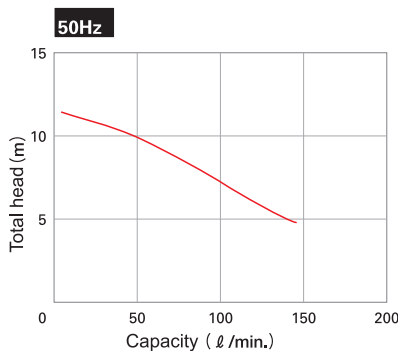
222

The in-tank type of YD-2500VK minimizes the occupied space by removing a discharge loose flange.

## Cautions when installing

### Installation height and liquid level in an intake tank

The pump does not need a mechanical seal or gland packing to prevent liquid leak. Refer to the illustration for "Examples of Standard Installation" in the instruction manual as reference to determine the pump's proper installation position. If necessary, use a pump stand. The pump should be installed so that the liquid level in the tank is between the maximum liquid level and the minimum liquid level for the pump. If the liquid level is set at the maximum liquid level, note that there is the possibility of liquid leak from the upper part of the pump during suspension or during operation, depending on how the piping or accessory devices are installed. If there is accessory equipment, such as a filter or the discharge piping, in which liquid easily stagnates, install a check valve between the pump and piping to prevent backflow.



Comprehensive Manufacturer of Environmental Equipment  
Challenging the Liquid Transfer Technology,

**World Chemical Co., Ltd.**

URL <http://www.wcc.co.jp/>

### Head Office

7F., TOUSEN Bldg., 1-5-2, Higashi-Azabu,  
Minato-ku, Tokyo, 106-0044 Japan

☎ 03(3588)1140 (代) ☎ 03(3588)1141

E-mail [chemical@wcc.co.jp](mailto:chemical@wcc.co.jp)

### Sales Department

☎ 03(3588)1140 (代) ☎ 03(3588)1141

### Overseas Department

☎ 03(3588)1866 (代) ☎ 03(3588)1141

E-mail [overseas@wcc.co.jp](mailto:overseas@wcc.co.jp)

### Nagoya Office

1F., EIKEI Bldg., 1-307, Yashirogaoka, Meitou-ku, Nagoya-shi,  
Aichi, 465-0051 Japan

☎ 052(701)1227 (代) ☎ 052(701)1250

### Osaka Office

7F., SUMIKIN KOSAN KUJO Bldg., 1-27-6, Kujo, Nishi-ku,  
Osaka-shi, Osaka, 550-0027 Japan

☎ 06(6584)3185 (代) ☎ 06(6584)3160

### Fukuoka Office

1F., SK MULBERRY I, 215-6, Nishi-machi,  
Kurume-shi, Fukuoka, 830-0038 Japan

☎ 0942(51)8533 (代) ☎ 0942(51)8534

### Tsukuba Works

6127-5, Onogo-machi, Josono-shi,  
Ibaraki, 300-2521 Japan

☎ 0297(24)1071 (代) ☎ 0297(24)1075

### Service Center

6127-5, Onogo-machi, Josono-shi,  
Ibaraki, 300-2521 Japan

☎ 0297(24)1071 (代) ☎ 0297(24)1075

### Worchemi Taiwan Co., Ltd.

No.13, Lane 513, Shern-Lin South Rd.,  
Taya Hsiang, Taichung Hsien, Taiwan R.O.C.

☎ 886-42-560-9315 ☎ 886-42-560-9056

E-mail [world271@ms41.hinet.net](mailto:world271@ms41.hinet.net)

### World Chemical USA, Inc.

20610 Manhattan Place, #116, Torrance, CA 90501 U.S.

☎ 1-310-328-9114 ☎ 1-310-328-9441

URL <http://www.worldchemicalusa.com>

E-mail [wcusa@worldchemicalusa.com](mailto:wcusa@worldchemicalusa.com)

### Suzhou World Technology Co., Ltd.

402, Fu Yuan Road, Xiang Cheng  
Economic District., Su Zhou, China

☎ 86-512-6579-8212 ☎ 86-512-6579-8215

E-mail [ohya@wcs.szbn.net](mailto:ohya@wcs.szbn.net)